

ELKAY[®]

SPECIFICATIONS

Elite Gourmet™ by Elkay
36" SINGLE BOWL APRON SINK
Model 3626EGSF

GENERAL

Elite Gourmet Apron Sink can be customized with optional back-splash and faucet.

SINK DESIGN FEATURES

Material: Hand fabricated and finished from professional grade 16 gauge, Type 304 stainless steel.

Length: Standard 36".

Bowl Depth: 10".

Coved Corners: 1-3/4" Vertical and Horizontal Radius.

Outer edge of sink has a 5/32" raised rim.

Underside: Fully protected by heavy duty Sound Guard™ under-coating to prevent condensation and deaden sound.

Hand blended and finished stainless steel surface featuring a highlighted inside top bowl radius.

Drain Fitting: (1) LK99 drain included.

Not compatible with cabinet.

Sinks come standard with backsplash mounting holes. Specify "WB" suffix to order without.

Backsplash: For design features, reference specification sheet EG-5.

Faucets: For design features, reference specification sheets, EG-7 and EG-8.

OPTIONAL ACCESSORIES

LKH180/190 Series Instant Hot Water Dispensers

LK2156 Series Instant Cold Water Dispensers

ERS1 Remote Chiller

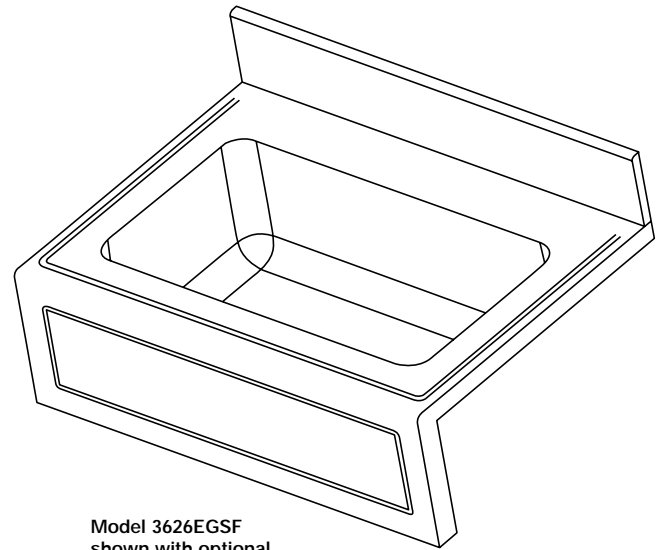
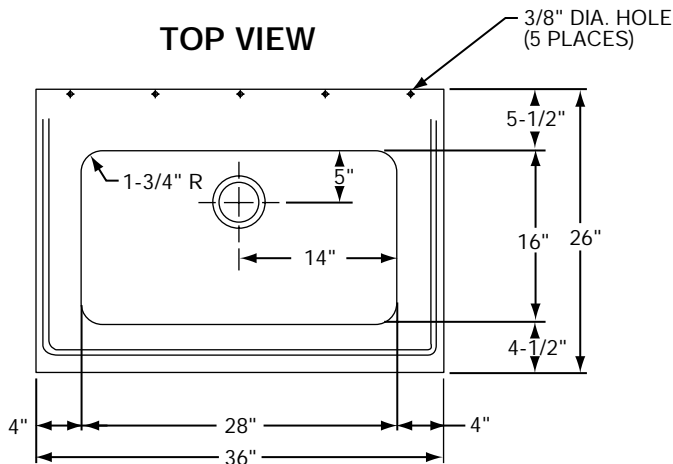
LK313 Series Soap Dispensers

LKRB1611 Rinse Basket

SINK DIMENSIONS (INCHES)*

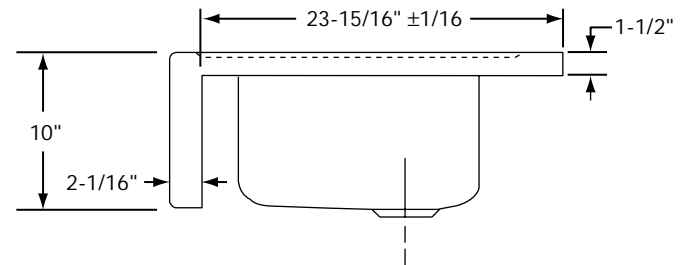
Model Number	Overall		Bowl			Fits Cabinet Base	No. of 1-1/2" Dia. Faucet Holes. 2 Hole at 8" Centers, 3 and 4 Hole at 4" Centers. 0 Hole Std. w/ 2" Backsplash
	L	W	L	W	D		
3626EGSF	36	26	28	16	10	36"	0, 2, 3 or 4

*Length is left to right. Width is front to back.



Model 3626EGSF
shown with optional
3/4" Backsplash

SIDE VIEW



ALL DIMENSIONS IN INCHES, TO CONVERT TO MILLIMETERS MULTIPLY BY 25.4.

In keeping with our policy of continuing product improvement, Elkay reserves the right to change product specifications without notice.